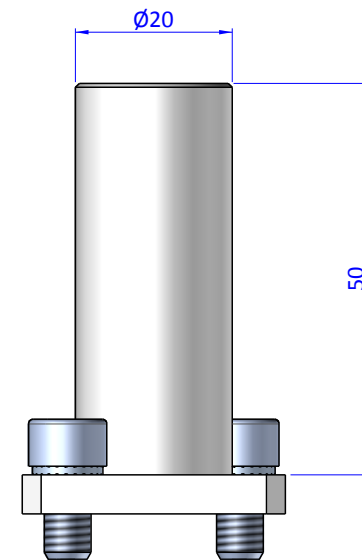
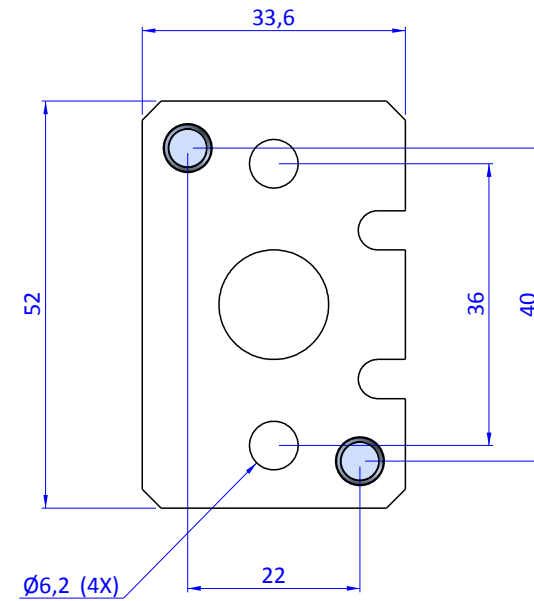
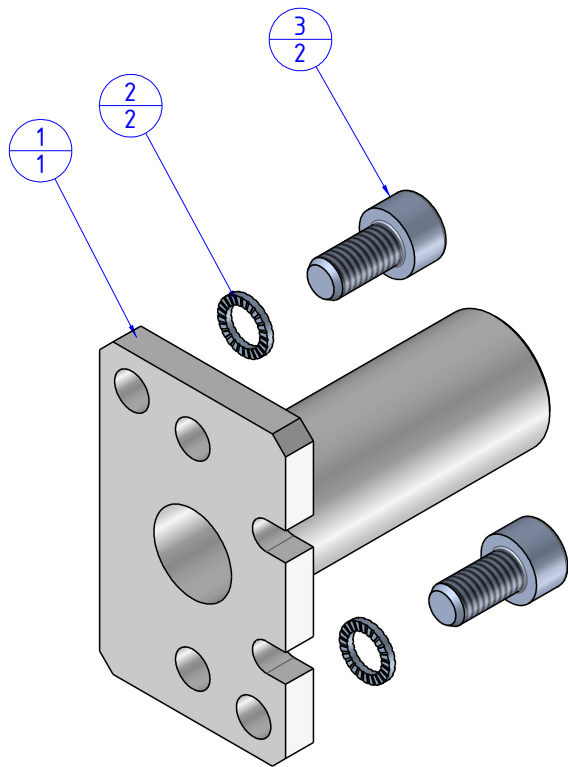



| Item | Name          | Q.ty |
|------|---------------|------|
| 1    | APGE.25.20.50 | 1    |
| 2    | R.6.SCH       | 2    |
| 3    | V.TCE6x12     | 2    |



THE PROPERTY OF THE DRAWING IS ESTABLISHED BY LAW. IT IS FORBIDDEN TO PRODUCE OR SHOW IT TO THIRD PARTY, WITHOUT A WRITTEN AGREEMENT.

Format A3

UNI 936-76

|  |  |                  |         |                  |
|--|--|------------------|---------|------------------|
| <br><b>FPS</b><br>FPSERVICES AUTOMATION |  | DESIGNED FROM    |         | REVIEW           |
|  |  | FPS Automation   |         | A                |
| GENERAL TOLERANCE  |  | DATE             | WEIGHT  |                  |
| UNI - ISO 2768   |  | 04/04/2019       | 0,053kg |                  |
| CLASSE f   |  | CODE             |         |                  |
|  |  | CA.APGE.25.20.50 |         | CA.APGE.25.20.50 |